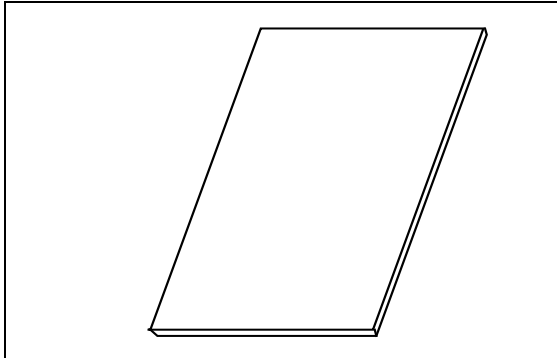


PIEZAS FORMADAS (SLOT INSULATORS)

ELECTRIC MOTOR INSULATION

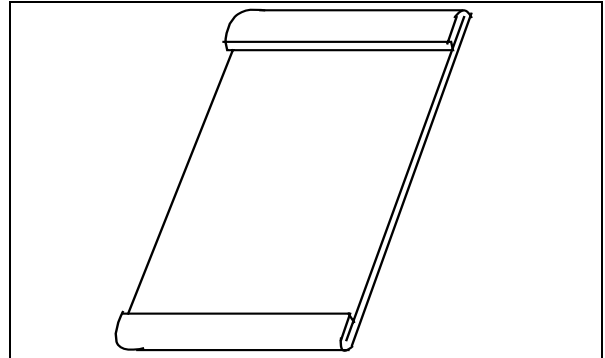
ROYAL DIAMOND has designed and developed Slot Insulators as a companion product to slot wedges to provide a complete and compatible system for electric motors. We can provide Slot Insulators made of ours "Flexible Laminates" in a variety of styles such as: Cuffed or Plain, completely formed with flat or round bottom, or creased and shipped flat to be formed by hand at the point of assembly. Up to 200 x 100 mm.

TIPO RD - 510



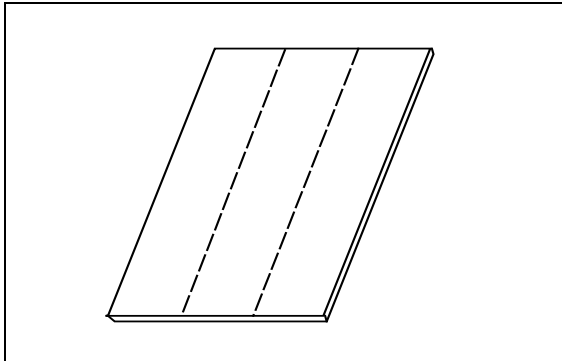
Plane slot insulator, rectangular, good for application where the preformed is not necessary. When it is placed in the slot it remains adapted to its shape.

TIPO RD - 610



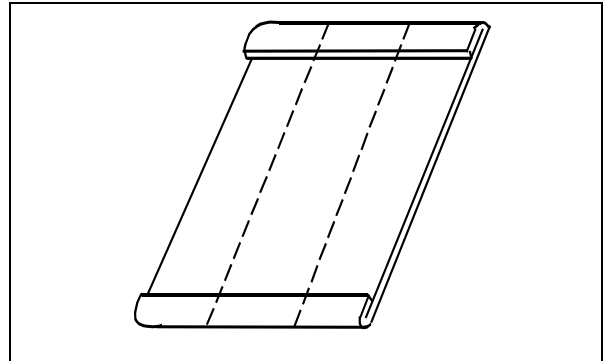
Slot insulator with folded edges (cuffed) plane and rectangular. It offers special resistance and mechanical protection at the slot exit. Avoids the displacement of the insulator.

TIPO RD - 520



Creased slot insulator, rectangular and preformed for and angled slots. The folds simplify the insertion and sure a good adaption to the walls and bottom of slot.

TIPO RD - 620



Slot insulator with folded edges, with crechs, rectangular preformed (cuffed and creased). It offers special resistance Protection at the slot exit. Avoids the displacement of the insulator and makes sure a good adaption to the walls and bottom of the slot